

HITZE

PRODUCER OF FIREPLACES



ARDENTE DUO

105x43.DGS

FIREPLACE INSERT / AIR



ENERGY CLASS



BASIC INFORMATION ABOUT THE PRODUCT



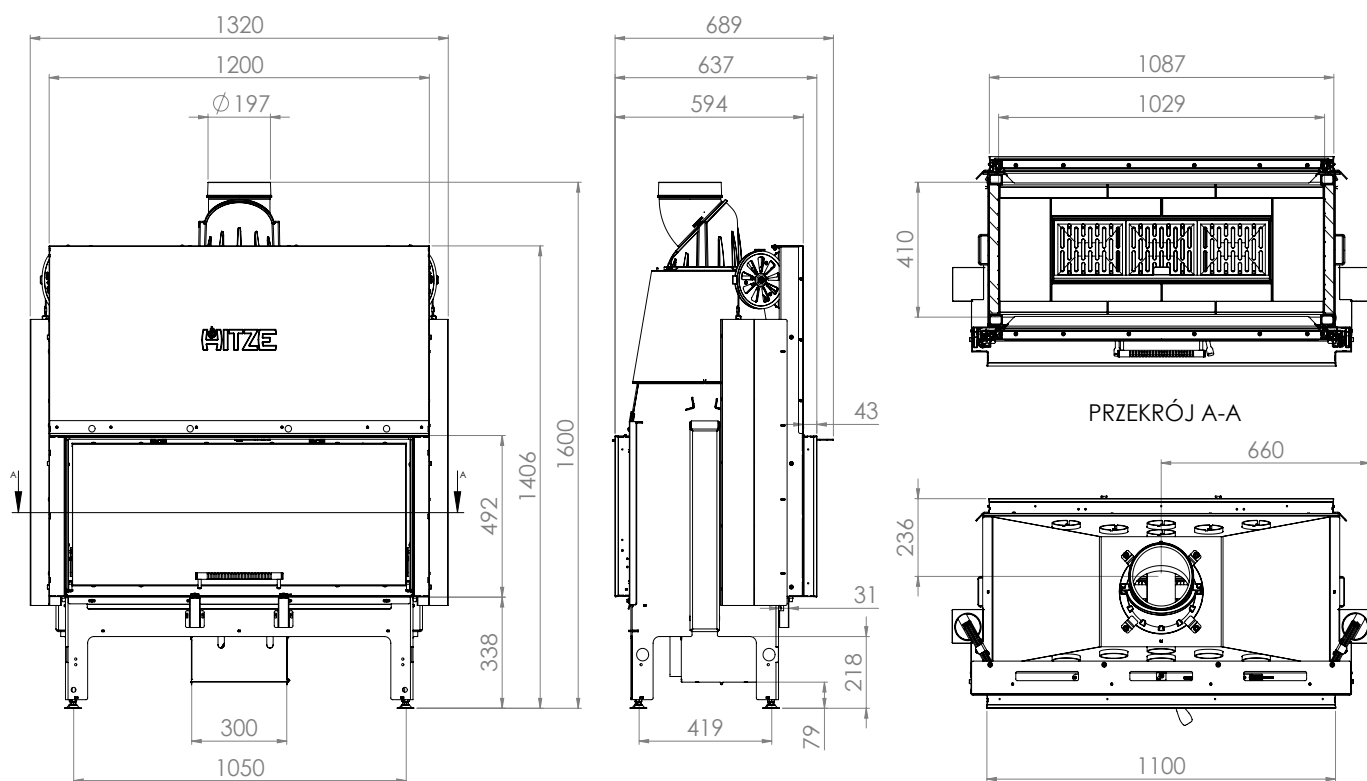
- Tunnel type insert for double-sided or island construction.
- Insert with an enlarged, deep rectangular combustion chamber enabling large loads.
- Tilttable cast iron grate for easy cleaning of the fireplace.
- A new type of guillotine with service access.
- Two heat-resistant decorative DECOR glasses as standard (operating temperature up to 800°)
- Possibility to order dedicated covers (powder-coated steel in the color of the insert).
- Clean glass system: double-sided air deflectors with air curtains.
- Steel doors made of a special profile ensuring stiffness and resistance to high temperatures.
- The insert elements are produced using modern CNC devices (2D, 3D laser, press brakes).
- The insert jacket is made of P265GH boiler steel according to EN 10028-2.

Nominal power [kW]	20
Heating load range [kW]	10-26
Thermal efficiency [%]	78
CO emissions (at 13% O ₂) [g/m ³]	0,036
Pollen emission [g/m ³]	0,508
Average fuel consumption [kg/h]	6
Recommended dimensions of outlet grilles	1400-1600
Recommended dimensions of inlet grilles	800-1300
Glass dimensions [mm]	900x410
Flue diameter [mm]	200
Inlet diameter [mm]	125
Weight [kg]	395
Efficiency factor	104,1



ARDENTE DUO

105x43.DGS



ARDENTE DUO

105x43.DGS